

PROIII-AW/PROIII-AWBK

SPECIFICATIONS

ACOUSTIC & ELECTRICAL SPECIFICATIONS:

- Nominal Impedance: 4 ohm
- Recommended Amp Power: 10W to 100W
- Frequency Response: 65 Hz to 27 kHz (-6 dB)
- Sensitivity: 87 dB SPL*
- Crossover Frequency: 3000 Hz

SYSTEM COMPONENTS:

- Cabinet: CAD-PB-43344 (PROIII-AW)
CAD-PB-43343 (PROIII-AWBK)
- Grille Assy: CAD-NY-43341 (PROIII-AW)
CAD-NY-43340 (PROIII-AWBK)
- Low Frequency Transducer: 12C70DU-05CW 5 in. (130mm)
Polymer Laminate Cone
- DC Resistance: 2.0 ohm ±10%

*1 Watt @ 1 Meter

SYSTEM COMPONENTS: (cont'd)

- High Frequency Transducer: 58P60DH-01CD 1 in. (25mm)
Pure Titanium Dome
- DC Resistance: 2.5 ohm ±10%
- Crossover Network: NT-LVB4A(C) 2-Way System

AURAL SWEEP TEST SPECIFICATIONS:

- A. System Aural Sweep Test: 5.0V Input, 70 Hz to 20 kHz
- B. L.F. Aural Sweep Test: 2.0V Input, 70 Hz to 5 kHz
- C. H.F. Aural Sweep Test: 2.0V Input, 2 kHz to 20 kHz

PHYSICAL SPECIFICATIONS:

- Enclosure Dimensions: 9.25 x 6.25 x 5.62 in. D)
(235mm x 159mm x 143mm D)

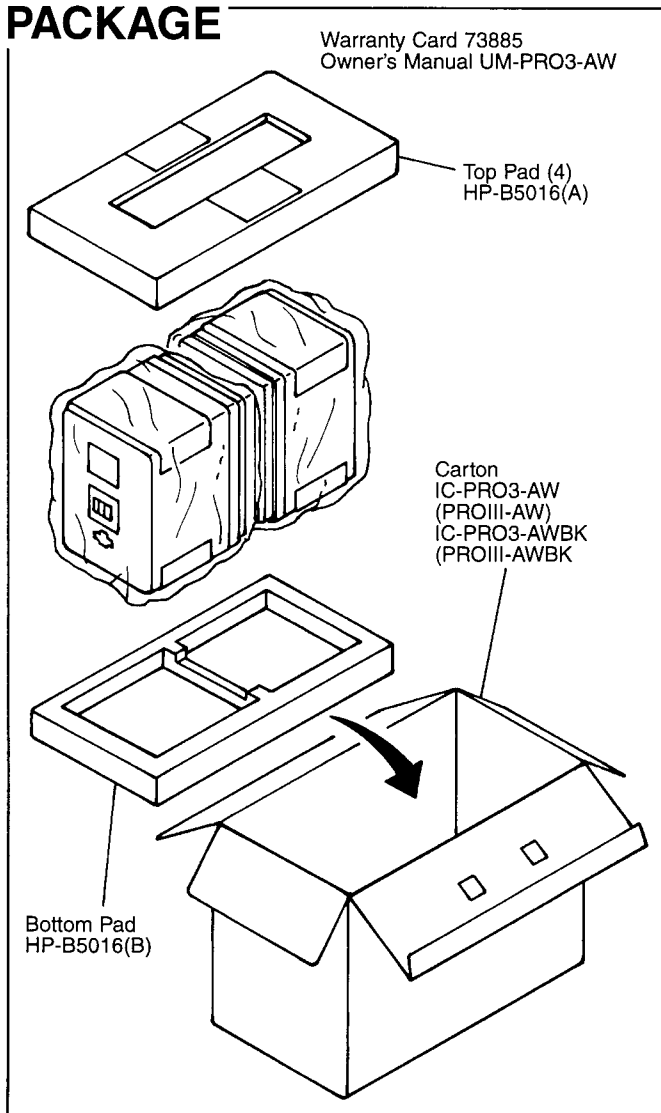
SHIPPING WEIGHT:

12.5 lbs. (5.7 kg.) Pair

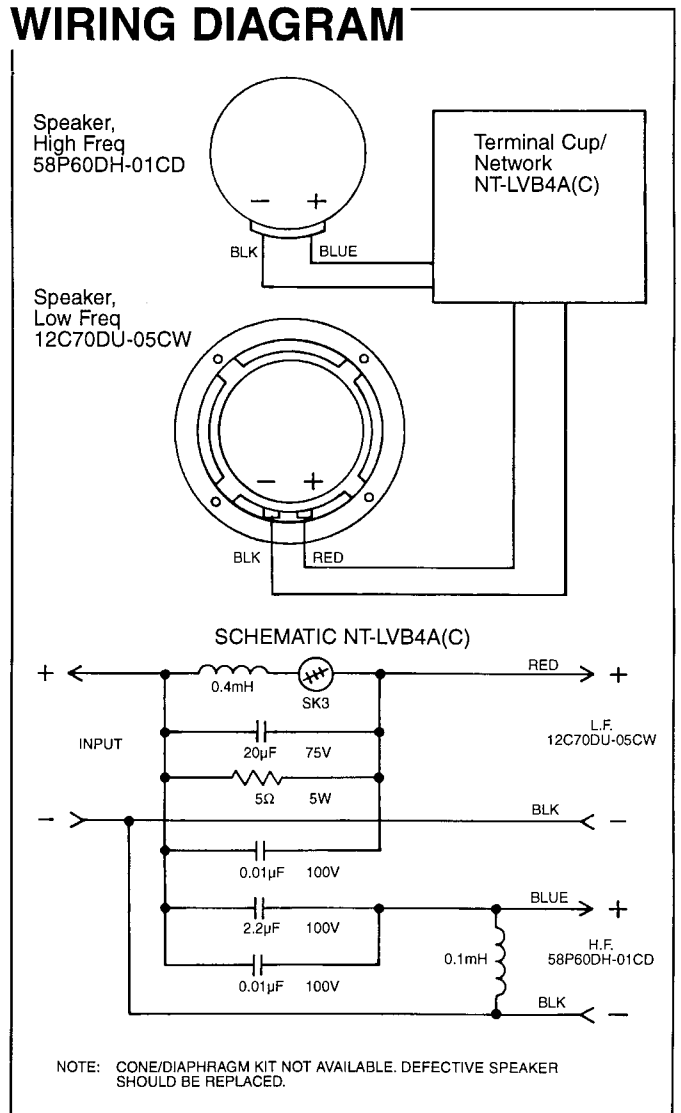
WARRANTY INFORMATION:

- Refer to the Warranty Statement packed with each product.

PACKAGE



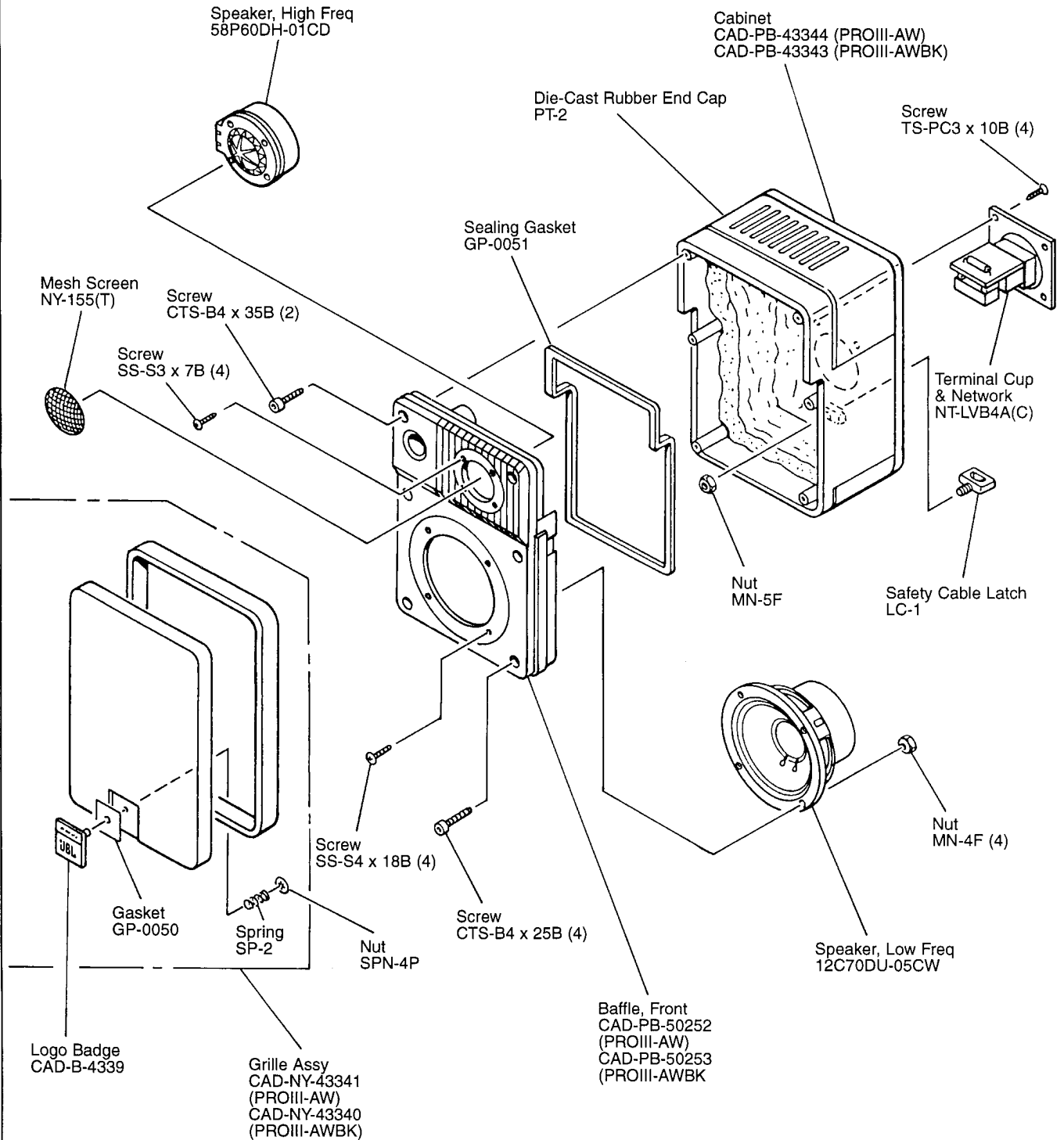
WIRING DIAGRAM



PROIII-AW/PROIII-AWBK

PROIII-AW/PROIII-AWBK

COMPONENT EXPLODED VIEW



PROIII-AW/PROIII-AWBK