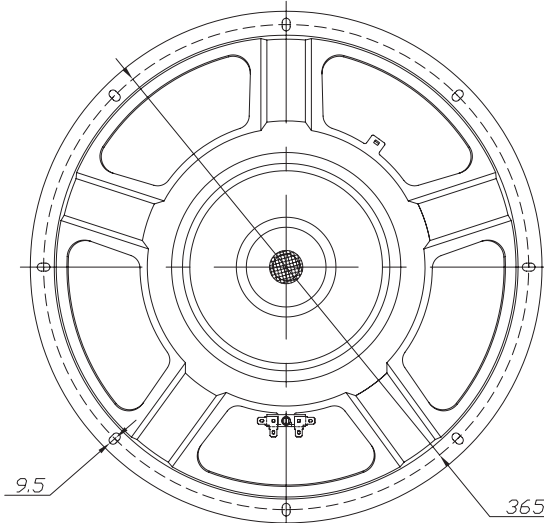
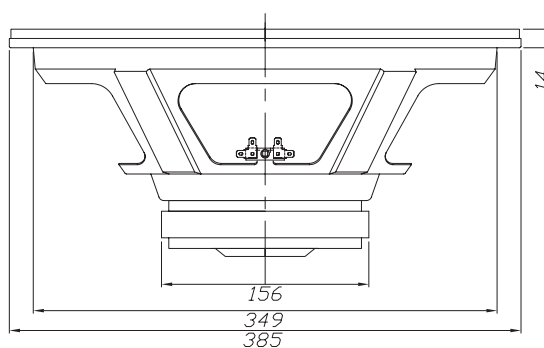


Features

- 15" polymer laminate non-pressed paper cone
- Rubber surround
- Vented pole piece
- Extended bump plate
- High temperature aluminum voice coil

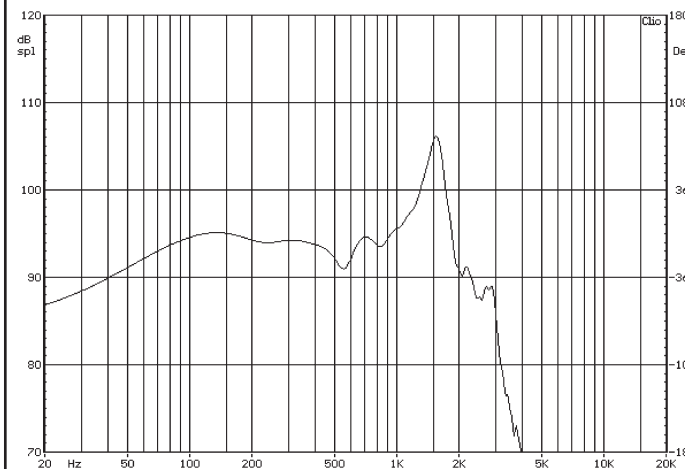
Parameters

Impedance (Ω)	8
Re (Ω)	6.5
Le (mH) @ 1 kHz	3.34
Fs (Hz)	21.5
Qms	3.52
Qes	0.39
Qts	0.35
Mms (g)	174.9
Cms (mm/N)	0.31
Sd (cm ²)	834.7
Vd (liters)	363.1
BL (Tm)	19.96
VAS (liters)	305.8
XMAX (mm)	4.35
VC Diameter (mm)	51
SPL (dB@1W/1m)	92.8
RMS Power Handling (w)	100
Usable Frequency Range (Hz)	20 - 1500



Note: All dimensions in mm.

Frequency Response



Note: Due to testing limitations, response below 200 Hz is not an actual representation.

Impedance/Phase

